

LS10, IL10, LK10

Мембранные датчики

GHM MESSTECHNIK



Технические характеристики

Архангельск (8182)63-90-72	Иваново (4932)77-34-06	Липецк (4742)52-20-81	Пенза (8412)22-31-16	Ставрополь (8652)20-65-13
Астана (7172)727-132	Ижевск (3412)26-03-58	Магнитогорск (3519)55-03-13	Пермь (342)205-81-47	Сулут (3462)77-98-35
Астрахань (8512)99-46-04	Иркутск (395)279-98-46	Москва (495)268-04-70	Ростов-на-Дону (863)308-18-15	Тверь (4822)63-31-35
Барнаул (3852)73-04-60	Казань (843)206-01-48	Мурманск (8152)59-64-93	Рязань (4912)46-61-64	Томск (3822)98-41-53
Белгород (4722)40-23-64	Калининград (4012)72-03-81	Набережные Челны (8552)20-53-41	Самара (846)206-03-16	Тула (4872)74-02-29
Брянск (4832)59-03-52	Калуга (4842)92-23-67	Нижний Новгород (831)429-08-12	Санкт-Петербург (812)309-46-40	Тюмень (3452)66-21-18
Владивосток (423)249-28-31	Кемерово (3842)65-04-62	Новокузнецк (3843)20-46-81	Саратов (845)249-38-78	Ульяновск (8422)24-23-59
Волгоград (844)278-03-48	Киров (8332)68-02-04	Новосибирск (383)227-86-73	Севастополь (8692)22-31-93	Уфа (347)229-48-12
Вологда (8172)26-41-59	Краснодар (861)203-40-90	Омск (3812)21-46-40	Симферополь (3652)67-13-56	Хабаровск (4212)92-98-04
Воронеж (473)204-51-73	Красноярск (391)204-63-61	Орел (4862)44-53-42	Смоленск (4812)29-41-54	Челябинск (351)202-03-61
Екатеринбург (343)384-55-89	Курск (4712)77-13-04	Оренбург (3532)37-68-04	Сочи (862)225-72-31	Череповец (8202)49-02-64
				Ярославль (4852)69-52-93

Киргизия (996)312-96-26-47 **Казахстан** (772)734-952-31 **Таджикистан** (992)427-82-92-69

<http://ghm.nt-rt.ru> || gmg@nt-rt.ru

Product Information

Level Sensor LS10



- Measuring range from 100 mbar..10 bar relative
- Output 4..20 mA
- Process temperature -10..+60 °C
- Protection class IP68, depth of immersion max. 100 m

Characteristics

The LS10 liquid level transmitter is designed for economical and reliable performance in a wide variety of level measurement applications. The LS10 provides a signal output of 4-20mA and an accuracy of 0.25% of span. Standard stocked pressure ranges are assembled with any length cable for fast delivery. Compensation for atmospheric pressure changes is accomplished through a vent tube in the cable. Applicable with drinking-, used-water, diesel-,heating- or rape-oil and carbon dioxide.

Technical data

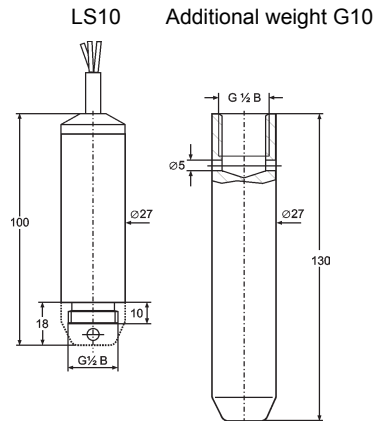
Power supply
 Supply voltage : 10..30 V DC (U+)
 Medium temp. : -10..+50 °C (compensated range 0..50 °C)
 Ambient temp. : -20..+80 °C
 CE-conformity : EN61326-1:2013, EN61326-2-3:2013

Output
 Current : 4..20 mA, 2-wire
 Max. burden R_A : $\leq (U+ -10 V) \div 0,02 A - (0.14 \Omega \times \text{cable length}[m])$

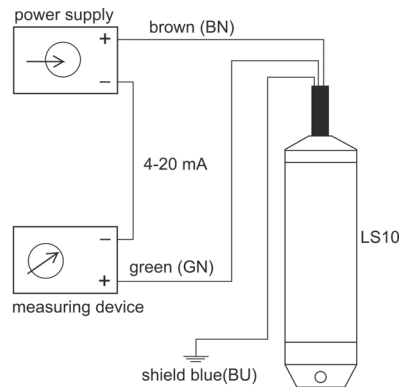
Accuracy : 0.5 % optional 0.25 %

Material
 Process conn. : stainless steel [Hastelloy®]
 Case : stainless steel [Hastelloy®]
 Membrane : stainless steel [Hastelloy®]
 Protection cap : PA
 Electrical connection : PUR cable vented
 Protection class : IP68 (immersion depth max. 100 m)
 Weight : approximately 0.2 kg

Dimensions



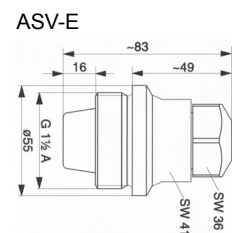
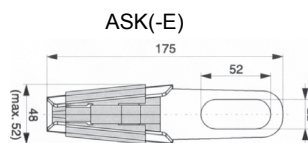
Connection diagram



Ordering code

LS10 - 1. - 2. - 3.

1. Output	
2	4..20 mA
2. Measuring range [bar]	
	0.1/ 0.16/ 0.25/ 0.4/ 0.6/ 1/ 1.6/ 2.5/ 4/ 6/ 10
3. Cable length [m]	
	Please insert
Accessories	
G10	additional weight 0.5 kg
ASK	anchor clamp steel zinc plate
ASK-E	anchor clamp stainless steel 1.4571
ASV-E	anchor gland stainless steel 1.4301



Level Sensor LK10



- Measuring ranges from 0,16..16 bar
- Output 4..20 mA, 2-wire
- Process temperature 0..50 °C
- Protection class IP68, aggressive liquids

Characteristics

Types LK10 have been designed as cost-effective level transmitters for continuous level measurement especially in contaminated and aggressive liquids. Because of the flush ceramic diaphragm both transmitters are well suited for applications in water supply and sewage treatment. They are suited also for level measurement in aggressive media where stainless steel transmitters have their limits. When dirt or sediments set on the transmitter the ceramic diaphragm makes cleaning easier.

Cables made of different materials can be chosen to adapt the LK10 to the specific operating conditions.

PUR cable: diesel oil, fuel oil, rape oil, carbonic acid

FEP cable: chem. aggressive liquids, acid, caustic solution, heavy loaded waste water, sewage technology (ferric-III-chloride)

Environmental technology:
sewage treatment, water supply, aggressive media.

Technical data

Power supply

Supply voltage : 12..36 V DC (U+)
 Medium temperature : 0..50 °C
 CE-conformity : EN 61326-1:2013
 Measuring range : 0..0.16 bar bis 0..16 bar relative

Output

Current : 4..20 mA, 2-wire
 Max. burden R_A : $\leq((U+ -12V)/0.02A - (0.14\Omega \times \text{Cable length [m]}))$
 short circuit protection
 Accuracy : 0.35 %

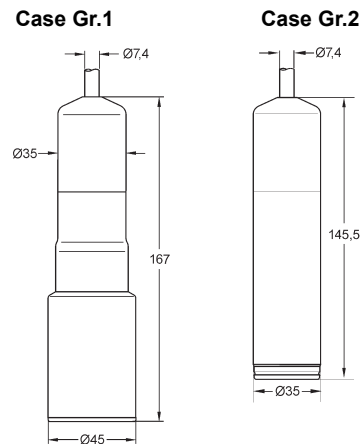
Material

Process material : PVC; seal FKM, EPDM
 Flush diaphragm : ceramic with parylen

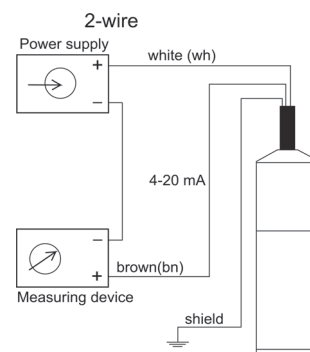
Electrical conn. : PUR cable or FEP cable, vented
Protection class : IP68, sea water resistant
Weight : appr. 0.2 kg

Dimension

Measuring ranges



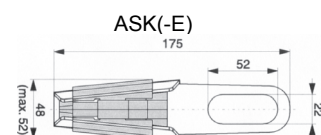
Connection diagram



Ordering code

LK10 - 1. - 2. - 3. - 4.

1. Output	2	4..20 mA
2. Measuring range [bar] please insert	0.16/ 0.25/ 0.4/ 0.6	Case Gr. 1
	1/ 1.6/ 2.5/ 4/ 6/ 10/ 16	Case Gr. 2
3. Cable type	1	PUR (standard)
	2	FEP
4. Cable length [m] please insert		
Accessories	ASK	anchor clamp steel zinc plated
	ASK-E	anchor clamp stainless steel 1.4571



Product Information

Level Sensor IL10



- Intrinsic safety ATEX applicable for Zone 0, 1, 2 also 20, 21 and 22
- Measuring ranges from 100 mbar..25 bar rel.
- Output 4..20 mA
- Process temperature -10..+60 °C
- Protection class IP68, max. immersion depth 300 m

Characteristics

The IL10 intrinsically safe level transmitter is designed for use in a wide variety of level measurement applications. The IL-10 has FM, ATEX and CSA approvals for installation in hazardous areas when used with the appropriate intrinsically safe zener barrier or isolating converter ST500Ex. Compensation for changes in barometric pressure is accomplished through a vent tube in the cable.

Technical data

Power supply

- Supply voltage : 10..30 V DC (U+)
- Medium temp. : -10..+60 °C (compensated range 0..50 °C)
- Ambient temp. : -10..+60 °C
- CE-conformity : 2014/30/EU, EN61326-1:2013; 61326-2-3:2013; Emissions (group 1 class B) and interference resistance (industrial area)
- Ex-directive : ATEX 2014/34/EU

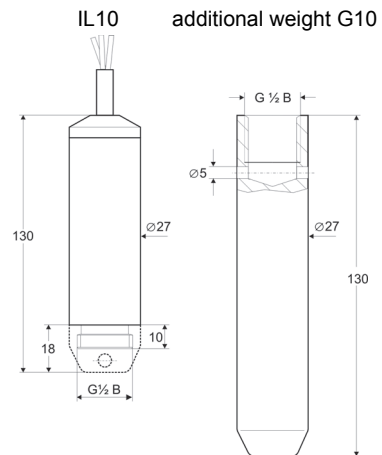
Output

- Current : 4..20 mA, 2-wire
- Max. burden R_A : $\leq (U+ -10 V) + 0.02 A \cdot (0.14 \Omega \times \text{cable length [m]})$
- Accuracy : 0.5 %

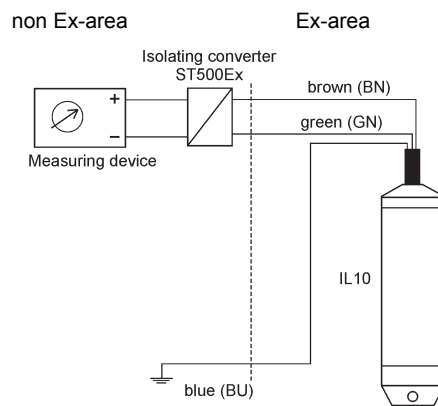
Material

- Process connection : stainless steel [Hastelloy®]
- Case : stainless steel [Hastelloy®]
- Membrane : stainless steel [Hastelloy®]
- Protection cap : stainless steel [Hastelloy®]
- Electrical connection : PUR vented cable
- Protection class : IP68 (immersion depth up to 300 m)
- Weight : approx. 0.2 kg

Dimensions



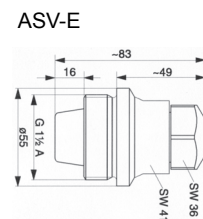
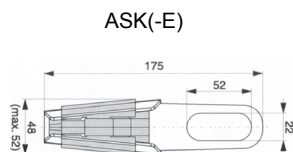
Connection diagram



Ordering code

IL10 - 1. - 2. - 3.

1. Output	2	4..20 mA
2. Measuring range [bar]	0.1/ 0.16/ 0.25/ 0.4/ 0.6/ 1/ 1.6/ 2.5/ 4/ 6/ 10/ 16/ 25	
3. Cable length [m]	Please insert	
Accessories		
G10	additional weight 0.5 kg	
ASK	anchor clamp steel zinc plate	
ASK-E	anchor clamp stainless steel 1.4571	
ASV-E	anchor gland stainless steel 1.4301	



contact us



Архангельск (8182)63-90-72	Иваново (4932)77-34-06	Липецк (4742)52-20-81	Пенза (8412)22-31-16	Ставрополь (8652)20-65-13
Астана (7172)727-132	Ижевск (3412)26-03-58	Магнитогорск (3519)55-03-13	Пермь (342)205-81-47	Сургут (3462)77-98-35
Астрахань (8512)99-46-04	Иркутск (395)279-98-46	Москва (495)268-04-70	Ростов-на-Дону (863)308-18-15	Тверь (4822)63-31-35
Барнаул (3852)73-04-60	Казань (843)206-01-48	Мурманск (8152)59-64-93	Рязань (4912)46-61-64	Томск (3822)98-41-53
Белгород (4722)40-23-64	Калининград (4012)72-03-81	Набережные Челны (8552)20-53-41	Самара (846)206-03-16	Тула (4872)74-02-29
Брянск (4832)59-03-52	Калуга (4842)92-23-67	Нижегород (831)429-08-12	Санкт-Петербург (812)309-46-40	Тюмень (3452)66-21-18
Владивосток (423)249-28-31	Кемерово (3842)65-04-62	Новокузнецк (3843)20-46-81	Саратов (845)249-38-78	Ульяновск (8422)24-23-59
Волгоград (844)278-03-48	Киров (8332)68-02-04	Новосибирск (383)227-86-73	Севастополь (8692)22-31-93	Уфа (347)229-48-12
Вологда (8172)26-41-59	Краснодар (861)203-40-90	Омск (3812)21-46-40	Симферополь (3652)67-13-56	Хабаровск (4212)92-98-04
Воронеж (473)204-51-73	Красноярск (391)204-63-61	Орел (4862)44-53-42	Смоленск (4812)29-41-54	Челябинск (351)202-03-61
Екатеринбург (343)384-55-89	Курск (4712)77-13-04	Оренбург (3532)37-68-04	Сочи (862)225-72-31	Череповец (8202)49-02-64

Киргизия (996)312-96-26-47 **Казахстан** (772)734-952-31 **Таджикистан** (992)427-82-92-69