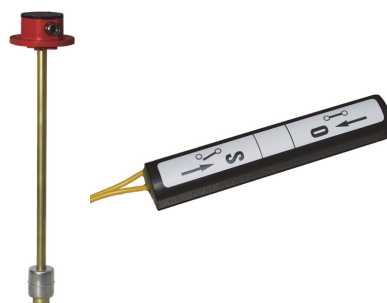


# NR, NR-000

## Сигнализатор уровня, Чувствительный элемент, класс защиты IP65 GHM MESSTECHNIK



## Технические характеристики

<b>Архангельск</b> (8182)63-90-72	<b>Иваново</b> (4932)77-34-06	<b>Липецк</b> (4742)52-20-81	<b>Пенза</b> (8412)22-31-16	<b>Ставрополь</b> (8652)20-65-13
<b>Астана</b> (7172)727-132	<b>Ижевск</b> (3412)26-03-58	<b>Магнитогорск</b> (3519)55-03-13	<b>Пермь</b> (342)205-81-47	<b>Сургут</b> (3462)77-98-35
<b>Астрахань</b> (8512)99-46-04	<b>Иркутск</b> (395)279-98-46	<b>Москва</b> (495)268-04-70	<b>Ростов-на-Дону</b> (863)308-18-15	<b>Тверь</b> (4822)63-31-35
<b>Барнаул</b> (3852)73-04-60	<b>Казань</b> (843)206-01-48	<b>Мурманск</b> (8152)59-64-93	<b>Рязань</b> (4912)46-61-64	<b>Томск</b> (3822)98-41-53
<b>Белгород</b> (4722)40-23-64	<b>Калининград</b> (4012)72-03-81	<b>Набережные Челны</b> (8552)20-53-41	<b>Самара</b> (846)206-03-16	<b>Тула</b> (4872)74-02-29
<b>Брянск</b> (4832)59-03-52	<b>Калуга</b> (4842)92-23-67	<b>Нижний Новгород</b> (831)429-08-12	<b>Санкт-Петербург</b> (812)309-46-40	<b>Тюмень</b> (3452)66-21-18
<b>Владивосток</b> (423)249-28-31	<b>Кемерово</b> (3842)65-04-62	<b>Новокузнецк</b> (3843)20-46-81	<b>Саратов</b> (845)249-38-78	<b>Ульяновск</b> (8422)24-23-59
<b>Волгоград</b> (844)278-03-48	<b>Киров</b> (8332)68-02-04	<b>Новосибирск</b> (383)227-86-73	<b>Севастополь</b> (8692)22-31-93	<b>Уфа</b> (347)229-48-12
<b>Вологда</b> (8172)26-41-59	<b>Краснодар</b> (861)203-40-90	<b>Омск</b> (3812)21-46-40	<b>Симферополь</b> (3652)67-13-56	<b>Хабаровск</b> (4212)92-98-04
<b>Воронеж</b> (473)204-51-73	<b>Красноярск</b> (391)204-63-61	<b>Орел</b> (4862)44-53-42	<b>Смоленск</b> (4812)29-41-54	<b>Челябинск</b> (351)202-03-61
<b>Екатеринбург</b> (343)384-55-89	<b>Курск</b> (4712)77-13-04	<b>Оренбург</b> (3532)37-68-04	<b>Сочи</b> (862)225-72-31	<b>Череповец</b> (8202)49-02-64

**Киргизия** (996)312-96-26-47 **Казахстан** (772)734-952-31 **Таджикистан** (992)427-82-92-69

<http://ghm.nt-rt.ru> || [gmg@nt-rt.ru](mailto:gmg@nt-rt.ru)

## Level Switch NR



- Mounted in the cover
- Adjustable switching points in 10 mm grid
- Up to four contacts

### Characteristics

Mechanical level monitor for fluid media, with contact-free triggering of a reed contact.

### Technical data

<b>Switch</b>	reed switch	
<b>Process connection</b>	flange Ø120 or male thread G 2 A	
<b>Density of medium</b>	³ 0.66 g/cm³	
<b>Overall length</b>	250..1000 mm, for details see "Dimensions and weights"	
<b>Pressure resistance</b>	PN 5 bar	
<b>Medium temperature</b>	-5..+100 °C	
<b>Ambient temperature</b>	-5..+70 °C	
<b>Media</b>	water, oils	
<b>Wiring</b>	'normally open' / 'normally closed' or changeover	The switching units are to be ordered separately, see "Switching contact NR-000"
<b>Switching voltage</b>	max. 250 V AC	
<b>Switching current</b>	max. 1 A	
<b>Switching capacity</b>	max. 250 VA	
<b>Protection class</b>	2 - safety insulation	
<b>Ingress protection</b>	IP 65	
<b>Electrical connection</b>	cable screw gland Pg 13.5	
<b>Materials medium-contact</b>	flanged type	CW508L, GD-AISi12, 1.4571
	threaded type	1.4571
<b>Non-medium-contact materials</b>	GD-AISi 12, NBR, PA	
<b>Weight</b>	see table "Dimensions and weights"	
<b>Installation location</b>	vertical installation position	

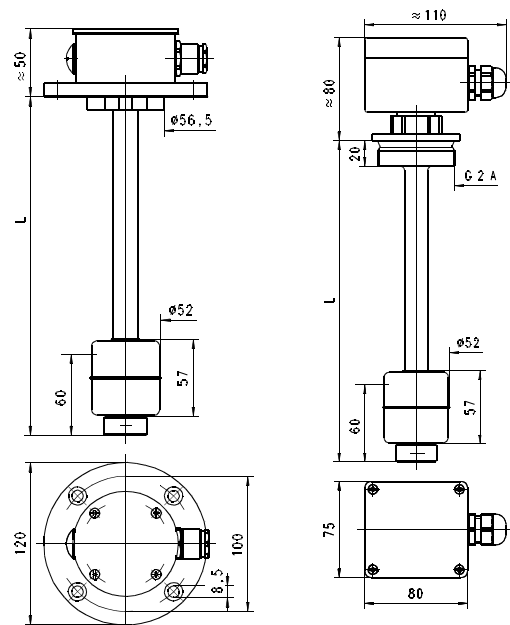
### Dimensions and weights

#### Flanged type

Types	L	Maximum number of switching contacts to be ordered separately	Weight kg
		'normally open' / 'normally closed' NR-000	
NR-120EA0250	250	2	1.0
NR-120EA0500	500	3	1.1
NR-120EA0750	750	4	1.3
NR-120EA1000	1000		1.4

#### Threaded type

Types	L	Maximum number of switching contacts to be ordered separately	Weight kg
		'normally open' / 'normally closed' NR-000	
NR-050HK0250	250	2	1.3
NR-050HK0500	500	3	1.4
NR-050HK0750	750	4	1.6
NR-050HK1000	1000		1.7



Details of float location 60 mm for density 1 g/cm³.  
The device is delivered without a seal.

### Handling and Operation

#### Note

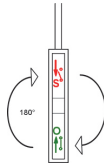
- It must be ensured that the values given for voltage, current, and power are not exceeded.
- When switched on, a load must be connected in series.
- The electrical details apply to ohmic loads. Capacitive, inductive and lamp loads must be operated using a protective circuit.
- Not suitable for use in media with ferritic particles.

## Commissioning

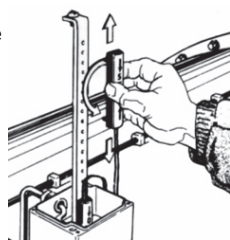
- Number of possible switching contacts:

Length Level monitor	'normally open' / 'normally closed'	optionally transformer
250	2	2
500	3	3
750	4	
1000		

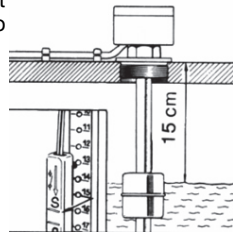
- The switching contacts must be activated before commissioning. By turning the switching module through 180°, the switching function is changed from 'normally open' to 'normally closed'. Minimum contact separation 80 mm.



- Release and pull out the perforated strip. The switching contacts can be fitted at a resolution of 10 mm.



- The switching points can be set exactly using the marking applied to the perforated strip.



## Switching Contact NR-000



## Technical data

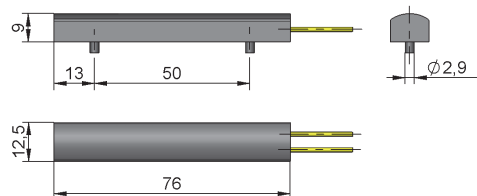
<b>Switch</b>	reed switch
<b>Operating temperature</b>	-5..+100 °C
<b>Wiring</b>	'normally open' / 'normally closed' No. 0.449
<b>Switching voltage</b>	max. 250 V
<b>Switching current</b>	max. 1,0 A
<b>Switching capacity</b>	max. 250 VA
<b>Protection class</b>	2 - safety insulation
<b>Ingress protection</b>	IP 65
<b>Connection</b>	wiring 2.1 m
<b>Non-medium-contact materials</b>	PA, PVC
<b>Weight</b>	0.04 kg

## Ordering code

NR -  1.  2.

1. Connection size / material	
120EA	flange Ø120 aluminium
050HK	male thread G 2 A stainless steel
2. Length	
0250	250 mm
0500	500 mm
0750	750 mm
1000	1000 mm

## Dimensions



## Ordering code

Please order switching contact(s) separately from devices NR-050HK... and NR-120EA...

NR -  1.

○=Option

1. Connection function	
000	'normally open' / 'normally closed'

Архангельск (8182)63-90-72  
Астана (7172)727-132  
Астрахань (8512)99-46-04  
Барнаул (3852)73-04-60  
Белгород (4722)40-23-64  
Брянск (4832)59-03-52  
Владивосток (423)249-28-31  
Вологда (8172)26-41-59  
Воронеж (473)204-51-73  
Екатеринбург (343)384-55-89

Иваново (4932)77-34-06  
Ижевск (3412)26-03-58  
Иркутск (395)279-98-46  
Казань (843)206-01-48  
Калининград (4012)72-03-81  
Калуга (4842)92-23-67  
Кемерово (3842)65-04-62  
Киров (8332)68-02-04  
Краснодар (861)203-40-90  
Красноярск (391)204-63-61  
Курск (4712)77-13-04

Липецк (4742)52-20-81  
Магнитогорск (3519)55-03-13  
Москва (495)268-04-70  
Мурманск (8152)59-64-93  
Набережные Челны (8552)20-53-41  
Нижний Новгород (831)429-08-12  
Новокузнецк (3843)20-46-81  
Новосибирск (383)227-86-73  
Омск (3812)21-46-40  
Орел (4862)44-53-42  
Оренбург (3532)37-68-04

Пенза (8412)22-31-16  
Пермь (342)205-81-47  
Ростов-на-Дону (863)308-18-15  
Рязань (4912)46-61-64  
Самара (846)206-03-16  
Санкт-Петербург (812)309-46-40  
Саратов (845)249-38-78  
Севастополь (8692)22-31-93  
Симферополь (3652)67-13-56  
Смоленск (4812)29-41-54  
Сочи (862)225-72-31

Ставрополь (8652)20-65-13  
Сургут (3462)77-98-35  
Тверь (4822)63-31-35  
Томск (3822)98-41-53  
Тула (4872)74-02-29  
Тюмень (3452)66-21-18  
Ульяновск (8422)24-23-59  
Уфа (347)229-48-12  
Хабаровск (4212)92-98-04  
Челябинск (351)202-03-61  
Череповец (8202)49-02-64  
Ярославль (4852)69-52-93

Киргизия (996)312-96-26-47    Казахстан (772)734-952-31    Таджикистан (992)427-82-92-69