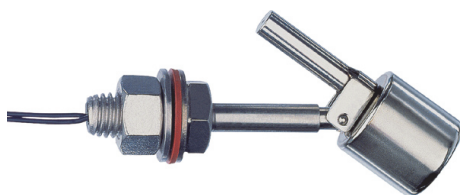


RW-015HKS, RW-015HKL, RWI

Сигнализатор уровня, класс защиты IP65

GHM MESSTECHNIK



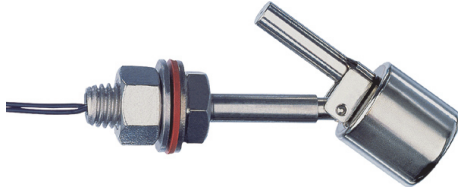
Технические характеристики

Архангельск (8182)63-90-72	Иваново (4932)77-34-06	Липецк (4742)52-20-81	Пенза (8412)22-31-16	Ставрополь (8652)20-65-13
Астана (7172)727-132	Ижевск (3412)26-03-58	Магнитогорск (3519)55-03-13	Пермь (342)205-81-47	Сургут (3462)77-98-35
Астрахань (8512)99-46-04	Иркутск (395)279-98-46	Москва (495)268-04-70	Ростов-на-Дону (863)308-18-15	Тверь (4822)63-31-35
Барнаул (3852)73-04-60	Казань (843)206-01-48	Мурманск (8152)59-64-93	Рязань (4912)46-61-64	Томск (3822)98-41-53
Белгород (4722)40-23-64	Калининград (4012)72-03-81	Набережные Челны (8552)20-53-41	Самара (846)206-03-16	Тула (4872)74-02-29
Брянск (4832)59-03-52	Калуга (4842)92-23-67	Нижний Новгород (831)429-08-12	Санкт-Петербург (812)309-46-40	Тюмень (3452)66-21-18
Владивосток (423)249-28-31	Кемерово (3842)65-04-62	Новокузнецк (3843)20-46-81	Саратов (845)249-38-78	Ульяновск (8422)24-23-59
Волгоград (844)278-03-48	Киров (8332)68-02-04	Новосибирск (383)227-86-73	Севастополь (8692)22-31-93	Уфа (347)229-48-12
Вологда (8172)26-41-59	Краснодар (861)203-40-90	Омск (3812)21-46-40	Симферополь (3652)67-13-56	Хабаровск (4212)92-98-04
Воронеж (473)204-51-73	Красноярск (391)204-63-61	Орел (4862)44-53-42	Смоленск (4812)29-41-54	Челябинск (351)202-03-61
Екатеринбург (343)384-55-89	Курск (4712)77-13-04	Оренбург (3532)37-68-04	Сочи (862)225-72-31	Череповец (8202)49-02-64
				Ярославль (4852)69-52-93

Киргизия (996)312-96-26-47 Казахстан (772)734-952-31 Таджикистан (992)427-82-92-69

<http://ghm.nt-rt.ru> || gmg@nt-rt.ru

Level Switch RW-015HKL

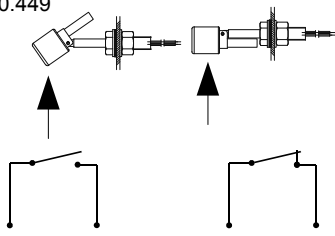


- Temperature up to 200 °C
- Highly reproducible
- Normally open or normally closed contact

Characteristics

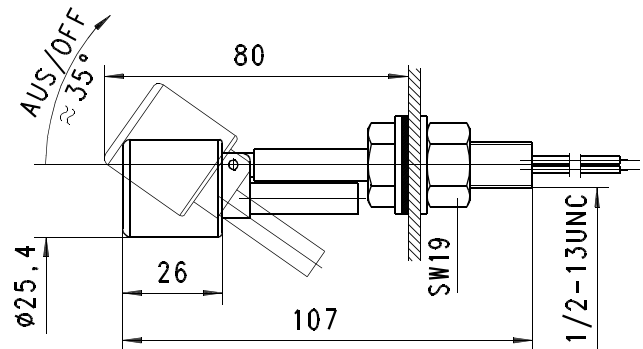
Mechanical level monitor for fluid media, with contact-free triggering of a reed contact.

Technical data

Switch	reed switch
Process connection	male thread 1/2 -13 THD
Density of medium	³ 0.7 g/cm ³
Pressure resistance	PN 6 bar
Medium temperature	-20..+200 °C
Ambient temperature	-20..+70 °C
Media	water, oils (aggressive media available on request)
Wiring	'normally open' or 'normally closed' No. 0.449 
Switching voltage	max. 220 V AC
Switching current	max. 0.14 A
Switching capacity	max. 30 VA

Protection class	2 - safety insulation
Ingress protection	IP 65
Electrical connection	wiring 600 mm
Materials medium-contact	1.4571
Weight	0.12 kg
Installation location	horizontal installation

Dimensions



Handling and operation

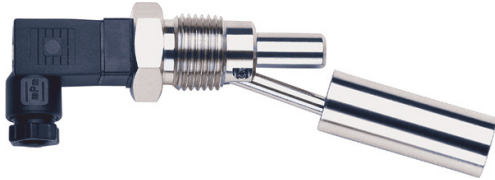
- It must be ensured that the values given for voltage, current, and power are not exceeded.
- When switched on, a load must be connected in series.
- The electrical details apply to ohmic loads. Capacitive, inductive and lamp loads must be operated using a protective circuit.
- Not suitable for use in media with ferritic particles.

Ordering code

RW - 1. 015 2. H 3. K 4. L

1. Connection size	015	threaded connection 1/2 13UNC
2. Process connection	H	screw-in thread
3. Connection material	K	stainless steel
4. Electronic connection	L	wiring

Level Switch RW-015HKS



- Highly reproducible
- Normally open or normally closed contact
- Plug connection

Characteristics

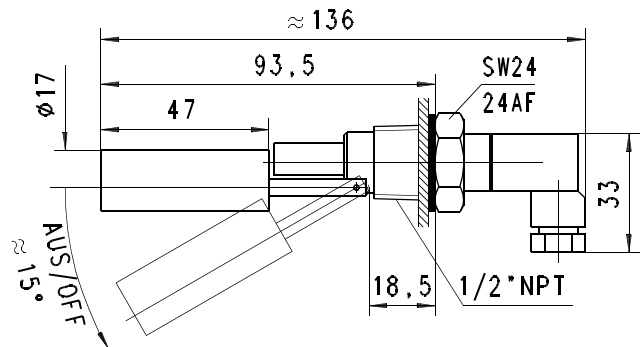
Mechanical level monitor for fluid media, with contact-free triggering of a reed contact.

Technical data

Switch	reed switch
Process connection	male thread 1/2"NPT
Density of medium	³ 0.75 g/cm ³
Pressure resistance	PN 5 bar
Medium temperature	-20..+120 °C
Ambient temperature	-20..+70 °C
Media	water, oils (aggressive media available on request)
Wiring	normally open (n.o.) No. 0.442
Switching voltage	max. 50 V AC
Switching current	max. 0.5 A
Switching capacity	max. 25 VA

Protection class	3 - protective extra low voltage
Ingress protection	IP 65
Electrical connection	similar to DIN 43650-C plug contact separation 9.4 mm
Materials medium-contact	1.4301, 1.4436
Non-medium-contact materials	PA
Weight	0.11 kg
Installation location	horizontal installation

Dimensions



Handling and operation

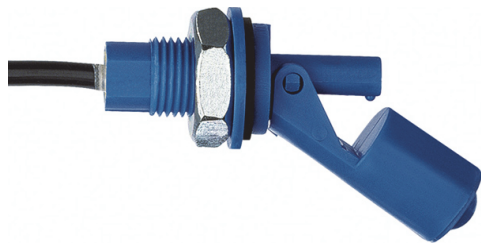
- It must be ensured that the values given for voltage, current, and power are not exceeded.
- When switched on, a load must be connected in series.
- The electrical details apply to ohmic loads. Capacitive, inductive and lamp loads must be operated using a protective circuit.
- Not suitable for use in media with ferritic particles.

Ordering code

RW - 1. 015 2. H 3. K 4. S

1. Connection size	015 threaded connection 1/2 "NPT
2. Process connection	H screw-in thread
3. Connection material	K stainless steel
4. Electronic connection	S plug

Level Switch RWI



- Installation from inside or outside
- Highly reproducible
- Normally open or normally closed contact

Characteristics

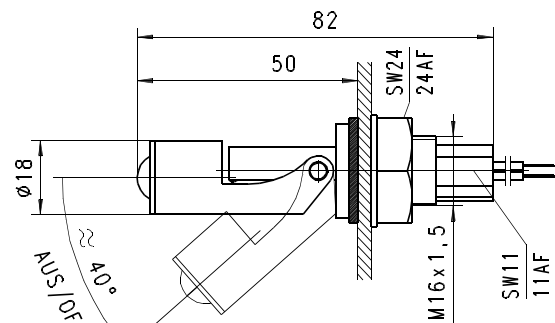
Mechanical level monitor for fluid media, with contact-free triggering of a reed contact.

Technical data

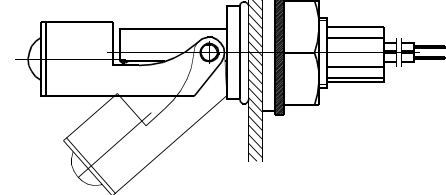
Switch	reed switch	
Process connection	male thread M16x1.5	
Density of medium	PP	³ 0.60 g/cm ³
	PVDF	³ 0.75 g/cm ³
Pressure resistance	PP	PN 3 bar
	PVDF	PN 6 bar
Medium temperature	PP	-20..+90 °C
	PVDF	-20..+130 °C
Ambient temperature	-20..+70 °C	
Media	water, oils	
Wiring	'normally open' or 'normally closed' No. 0.448	
Switching voltage	max. 250 V AC	
Switching current	max. 0.5 A	
Switching capacity	max. 50 VA	
Protection class	2 - safety insulation	
Ingress protection	IP 65 (optimal IP 00)	
Electrical connection	cable 0.5 m	
Materials medium-contact	<i>PP model:</i>	<i>PVDF model:</i>
	PP, FKM	PVDF, FKM
Weight	0.075 kg	
Installation location	horizontal installation	

Dimensions

Installation from inside, hole diameter Ø16.5



Installation from outside, hole diameter Ø23



Handling and operation

- It must be ensured that the values given for voltage, current, and power are not exceeded.
- When switched on, a load must be connected in series.
- The electrical details apply to ohmic loads. Capacitive, inductive and lamp loads must be operated using a protective circuit.
- Not suitable for use in media with ferritic particles.

Ordering code

RWI - 1. 016 2. P 3. 4.

○=Option

1. Connection size	016	threaded connection M16x1.5
2. Process connection	P	compression fitting
3. Connection material	P	PP
	V	PVDF
4. Electronic connection	K	cable
	F	○ Faston plug

Options

- Silicone seal
- Transformer 175 V AC, 0.25 A, 3 VA
- Brass connection G 3/4 A

Архангельск (8182)63-90-72 Иваново (4932)77-34-06 Липецк (4742)52-20-81 Пенза (8412)22-31-16 Ставрополь (8652)20-65-13
 Астана (7172)727-132 Ижевск (3412)26-03-58 Магнитогорск (3519)55-03-13 Пермь (342)205-81-47 Сургут (3462)77-98-35
 Астрахань (8512)99-46-04 Иркутск (395)279-98-46 Москва (495)268-04-70 Ростов-на-Дону (863)308-18-15 Тверь (4822)63-31-35
 Барнаул (3852)73-04-60 Казань (843)206-01-48 Мурманск (8152)59-64-93 Рязань (4912)46-61-64 Ульяновск (8422)24-23-59
 Белгород (4722)40-23-64 Калининград (4012)72-03-81 Набережные Челны (8552)20-53-41 Самара (846)206-03-16 Уфа (347)229-48-12
 Брянск (4832)59-03-52 Калуга (4842)92-23-67 Нижний Новгород (831)429-08-12 Санкт-Петербург (812)309-46-40 Тула (4872)74-02-29
 Владивосток (423)249-28-31 Кемерово (3842)65-04-62 Новокузнецк (3843)20-46-81 Саратов (845)249-38-78 Тюмень (3452)66-21-18
 Волгоград (844)278-03-48 Киров (8332)68-02-04 Новосибирск (383)227-86-73 Севастополь (8692)22-31-93 Челябинск (351)202-03-61
 Вологда (8172)26-41-59 Краснодар (861)203-40-90 Омск (3812)21-46-40 Симферополь (3652)67-13-56 Череповец (8202)49-02-64
 Воронеж (473)204-51-73 Красноярск (391)204-63-61 Орел (4862)44-53-42 Смоленск (4812)29-41-54 Ярославль (4852)69-52-93
 Екатеринбург (343)384-55-89 Курск (4712)77-13-04 Оренбург (3532)37-68-04 Сочи (862)225-72-31

Киргизия (996)312-96-26-47 Казахстан (772)734-952-31 Таджикистан (992)427-82-92-69